

# Tug hitching options



## Pin hitch

**EDHT1810-002 or EDHT1313 (16 mm diameter)**  
**EDHT1810-043 or EDHT1316 (19 mm diameter)**  
**EDHT1810-052 (29 mm diameter) standard for 660/1100L bins**  
**EDHT10TPIN (32 mm diameter)**  
**EDHT10TPIN50 (50 mm diameter)**

Typically used on trolleys with tow bars such as meal trolleys and stock trolleys, the pin hitch can also be mounted upside-down to suit spring-loaded drawbars that push upwards. These are becoming more common in workplaces, as no bending is required.

### Suitability

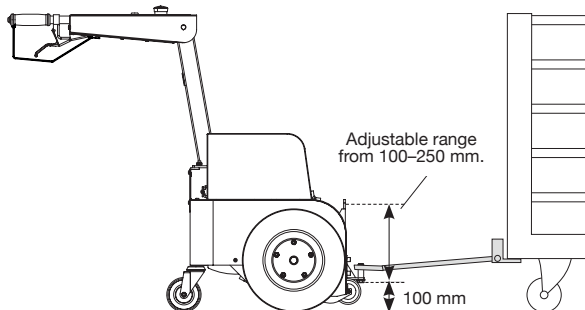
For use on Compact Tug (16mm and 19mm); Tug Rise 1T (19mm only); Tug Axis 1T and 2T (16mm and 19mm); Tug Axis 4T and 5T (19mm only) and Tug Tough 10T (32mm and 50mm).

When fitted to the Tug Compact and Tug Tough, the pin hitch enables vertical and horizontal movement.

*Note: When fitted to the Tug Axis, the turret must be locked to disable pivoting, otherwise uncontrolled movement will occur.*

### Applications

Meal trolleys for hospitals, roll cages for supermarkets.



## Auto-latching hitch

**EDHT1810-024**

To use the auto-latching hitch, a trolley with a 25 mm diameter tow bar is needed. Electrodrive can provide a tug hitch bar (EDHT1010) which can be welded or bolted to your trolley if required (pictured).

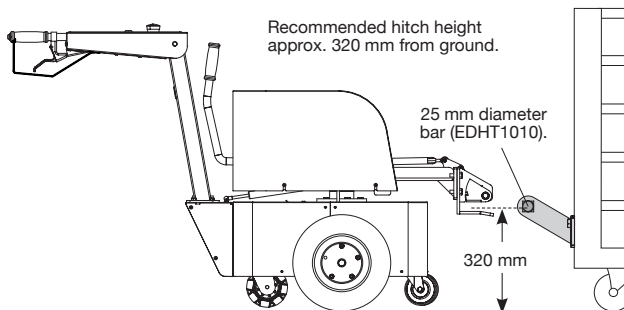
The auto-latching hitch enables limited vertical movement. Horizontal movement is provided by the Tug Axis's rotating turret. The hitch is set at 320 mm from the ground.

### Suitability

For use on Tug Rise 1T and Tug Axis range (1T, 2T, 4T and 5T models).

### Applications

Industrial, heavier-duty trolleys with loads of 1-2 tonne.



## Tow ball A-frame hitch

**ALL NEW DESIGN**

**EDHT1810-023**

The tow ball hitch is most commonly used for the movement of trailers, caravans or boats.

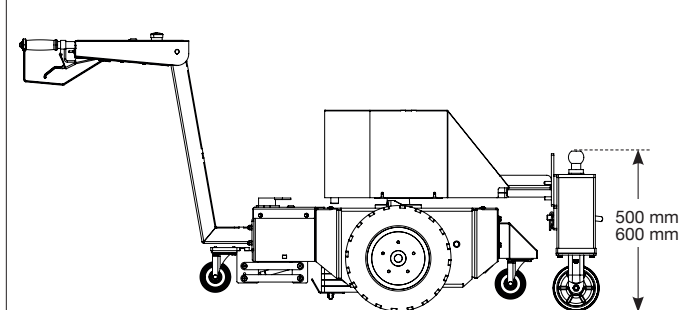
The tow ball position can be adjusted manually to suit a height of 500 or 600 mm from ground.

### Suitability

For use on Tug Axis range (1T, 2T, 4T and 5T models).

### Applications

Single-axle trailers or caravans fitted with a standard 50 mm tow ball coupling and a jockey wheel to safely lower the load over the tow ball.





## Hydraulic arm lift kit

**ALL NEW DESIGN**

### EDHYDARMLIFTKIT

This hitch is used for moving trailers, caravans or boats which have a 50 mm tow ball coupling.

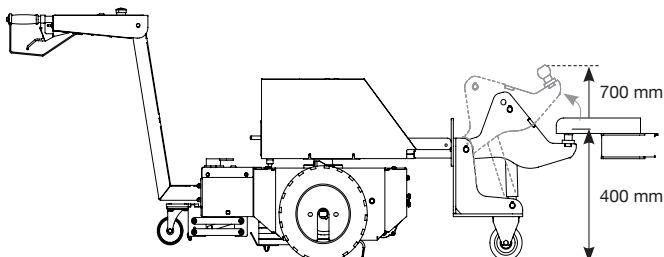
The hitch arm is operated by hydraulic system running at high pressure, via a self-centering toggle switch situated near the handle. The pinch points surrounding the arm movement and must be avoided at all times during the operation of the hydraulic system.

#### Suitability

For use on Tug Axis 4T and 5T models.

#### Applications

Single-axle trailers or caravans fitted with a standard 50 mm tow ball coupling and a jockey wheel to safely lower the load over the tow ball.



## Clamp hitch

EDHTCLAMP001 (general duty)  
EDHTCLAMP002 (heavy duty)

Clamp hitches grab the trolley frame from the outside, by clamping the load between two hooks. These hitches are commonly seen on linen trolleys belonging to linen companies, hospitals and hotels. The clamp hitch has a range of 520–720 mm so it suits trolleys with a width between these two numbers.

EDHTCLAMP001 hitch must be supplied with EDHT1810-006 (self-centering hitch) for the Tug Compact or EDHT1810-035 (optional skate hitch). EDHTCLAMP002 does not require self-centering.

#### Suitability

The General Duty Clamp Hitch (EDHTCLAMP001) is suitable for use on Tug Compact and Tug Axis 1T and 2T models. The Heavy Duty Clamp Hitch (EDHTCLAMP002) is suitable for use on the Tug Rise

Clamp hitches are ideal for trolleys that do not have an existing hitch point to connect to.

#### Applications

Linen trolleys, roll cages and trolleys with wire mesh sides.



## Groove hitch

**ALL NEW DESIGN**

EDHTGROOVE0484

Groove hitches are designed for plastic tub trolleys with slotted handles or metal linen trolleys.

EDHTGROOVE0484 hitch is our new swivel mechanism which locks the tubs from inside the handle grooves.

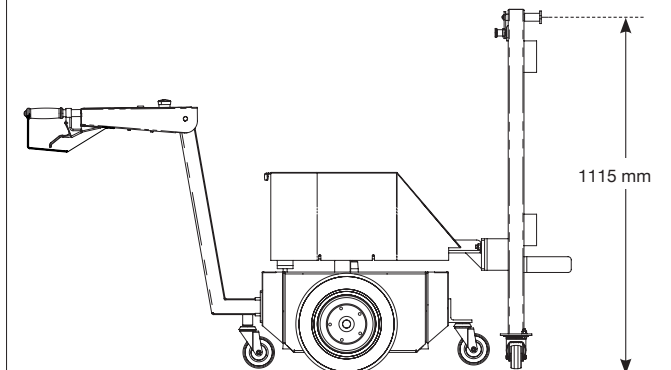
These hitches are normally used on plastic linen trolleys which don't have an exposed or open frame to grab onto from the outside.

#### Suitability

For use on Tug Axis 1T and 2T models.

#### Applications

Rotomoulded linen trolleys with slotted handles.





## Double wheelie bin hitch

**EDTWINBINHITCH**

Move up to two wheelie bins at the same time using this hitch.

To hitch or unhitch the bins, simply lift the handle. The height of the hitching point can be manually adjusted with two wing knobs located on the side of the vertical frame.

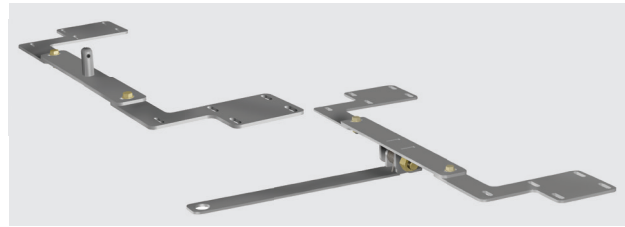
### Suitability

For use on Tug Compact and the Tug Axis range.

### Applications

Moving moulded wheelie bins ranging from 80 to 240 litres with adjustable height and width.

**ALL NEW DESIGN**



## 660 & 1100 litre bin hitches

**EDUNIBH6611F (Front hitching bracket)**  
**EDUNIBH6611R (Rear hitching bracket)**

Our universal hitching brackets fit underneath 660 litre or 1100 litre bins (between the castor plates and bin) to maximise strength and enable towing of multiple bins at once.

The hitching brackets are suitable for ramps up to 14 degrees. The tow pins are secured by R-pins.

### Suitability

For use on Tug Rise and the Tug Axis range.

### Applications

For towing one or more 660 and 1100 litre bins.

### Accessories

Directional lock tabs for steering (order code LMDLSULO) for trolleys with 4 swivel castors - retrofitted on 2 x rear-mounted swivel castors to stop bins swaying side-to-side.

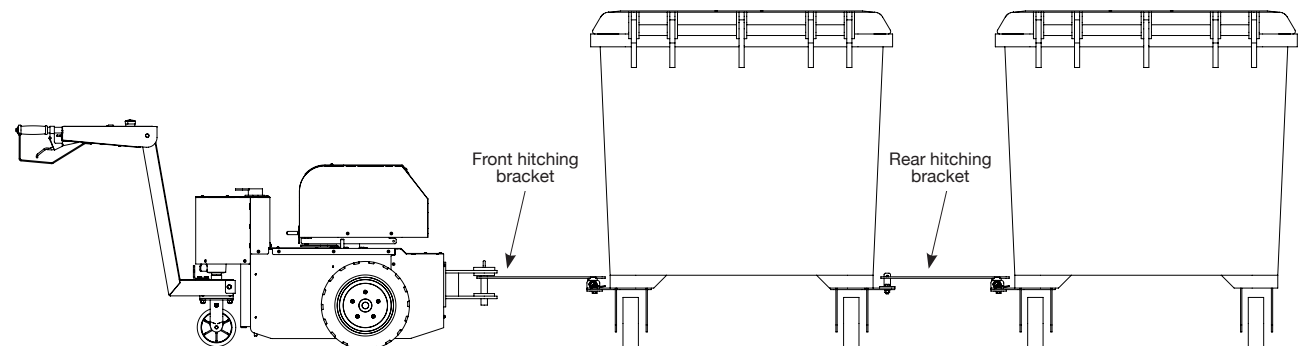
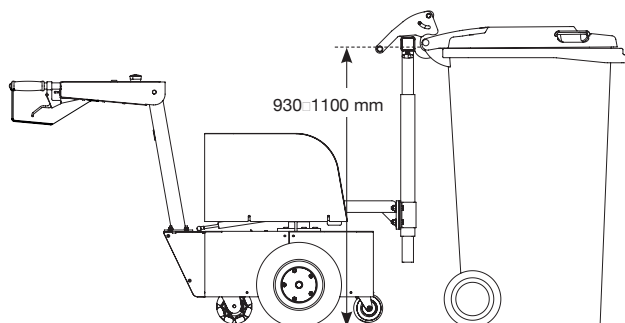


**ALL NEW DESIGN**

**Warning:** Never tow with four swivel castors. Towing bins with four swivel castors will cause problems with trailing and 'fishtailing' - cutting corners, rather than following the unit.

For safety purposes, directional lock tabs are fitted to your bin's existing rear swivel castors to enable controlled steering and towing in a straight line.

**Take a closer look.**  
Scan the QR code.

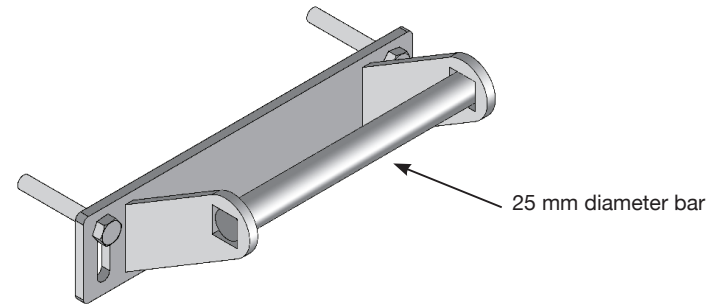


# Tug hitch bar mounting instructions

## Hitch bar

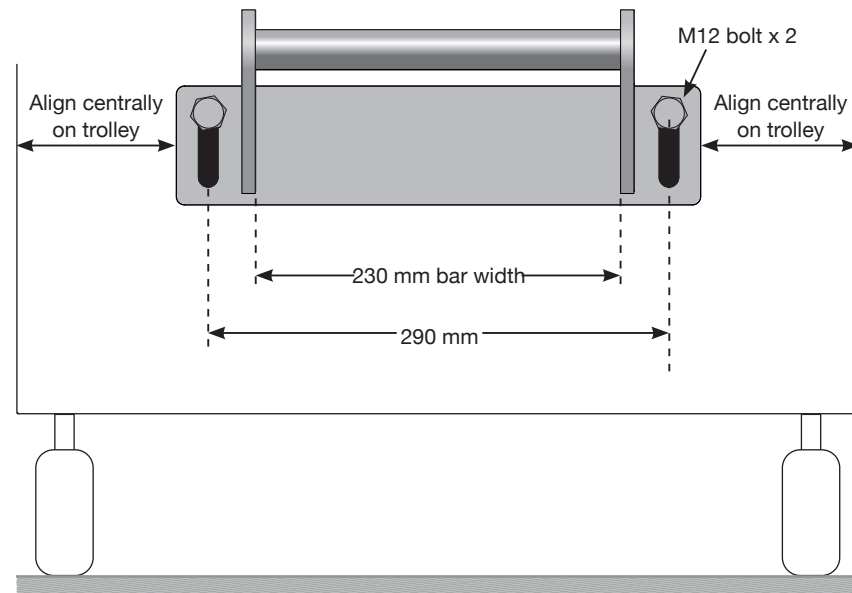
### EDHT1010

When mounting the Electrodrive tug hitch bar to your trolley, ensure the bracket is positioned centrally — with equal spacing from left to right edges (as shown below). This provides maximum control when towing.



## Front view

Hitch bar mounted onto trolley.



## Side view

Hitch bar mounted onto trolley.

